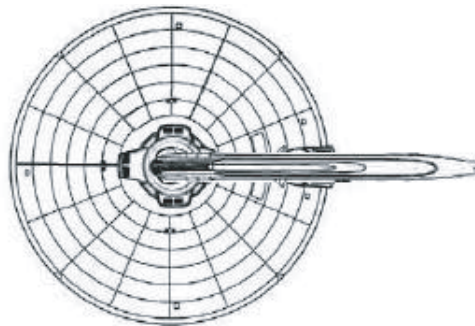
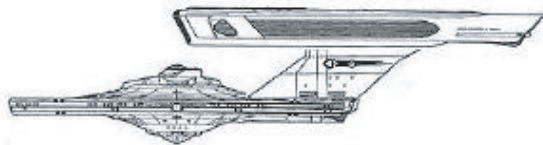


# RICHTHOFEN CLASS VIII PATROL CRUISER



## CONSTRUCTION DATA:

Class -	VIII
Model -	Mk I
Date Entering Service -	2283
Number Constructed -	124

## HULL DATA:

Superstructure Points -	41
Damage Chart -	C
Size	
Length -	222 m
Width -	141.7 m
Height -	80 m
Weight -	119,013 mt

## Cargo

Cargo Units -	60 SCU
Cargo Capacity -	3,000 mt
Landing Capacity -	None

## EQUIPMENT DATA:

Control Computer Type -	M-3
Transporters -	
Standard 6-person -	2
Combat 22-person -	2
Emergency 18-person -	1
Cargo -	2

## OTHER DATA:

Crew -	156
Troops -	40
Passengers -	20
Shuttlecraft -	3

## ENGINEERING:

Total Power Units Available -	32
Movement Point Ratio -	4/1
Warp Engine Type -	FWG-1
Number -	1
Power Units Available -	20 ea.
Stress Chart -	C/D
Max Safe Cruising Speed -	Warp 8
Emergency Speed -	Warp 10
Impulse Engine Type -	FIF-1
Power Units Available -	12

## WEAPONS AND FIRING DATA:

Beam Weapon Type -	FH-11
Number -	2
Firing Arcs -	2 p/f/s
Firing Chart -	Y
Maximum Power -	10
Damage Modifiers	
+3	(1-10)
+2	(11-17)
+1	(18-24)
Torpedo Weapon Type -	FP-5
Number -	3
Firing Arcs -	1 f/p, 1 f/s, 1 a
Firing Chart -	R
Power To Arm -	1
Damage -	16

## SHIELD DATA:

Deflector Shield Type -	FSL
Shield Point Ratio -	1/3
Maximum Shield Power -	16

## COMBAT EFFICIENCY:

D -	111.1
WDF -	49.9



## Notes:

The Righthofen Class is a real military ship. After the raid of an unknown species along the rimward border, Starfleet needed a fast and strong patrol ship to stop such attacks. With the commissioning of the first twenty Righthofen Patrol Class Cruiser, the raids ended and never started again. After this successful operation the Righthofen Class was on duty along the whole federation border. Of the 124 constructed ships 17 were lost, 53 were destroyed (12 by the Klingons, 23 by the Romulans, 6 by the Orions, 4 by unknown species, 8 by an explosion of a space dock), 34 were scrapped (12 of them had construction failures), 3 were used as training vessels, 4 were sold. Today 11 ships are still on duty along the neutral zone.